

DC Input Power Supply 9702

Features

- Provides +5.1V, +15V, +24V, and +32V
- Each power supply serves 80 standard stations
- Voltage input range 20 - 60 V DC
- Active load sharing on all outputs
- The power supply shuts down if it is overheated
- one voltage fails
- Built-in power monitoring with potential free relay output
- Over voltage and short circuit protected
- N+1 redundancy
- Plug connector for DC outputs - no screws
- LED indicator in front

AlphaCom System



Description

The AlphaCom DC Input Power provides an input range from 20 to 60 V DC. The input is galvanic separated from the outputs.

The Power Supply has four DC/DC converters delivering the desired output voltage.

The active load sharing ensures that each power supply shares the load equally within +/- 5% when more than one power supply is installed in the system. If one power supply fails, the other(s) will take over and keep the exchange running as long as the total load is not exceeding the specified limits. A fully equipped exchange needs 2 power supplies, A third power can be installed for redundancy.

The power supply has Universal AMP Mate'nLock type output connectors. It is easy to plug in and unplug without tools.

A DC connection panel must be mounted in the AlphaCom exchange when the DC Input Power Supply is used.

Equipment Standards

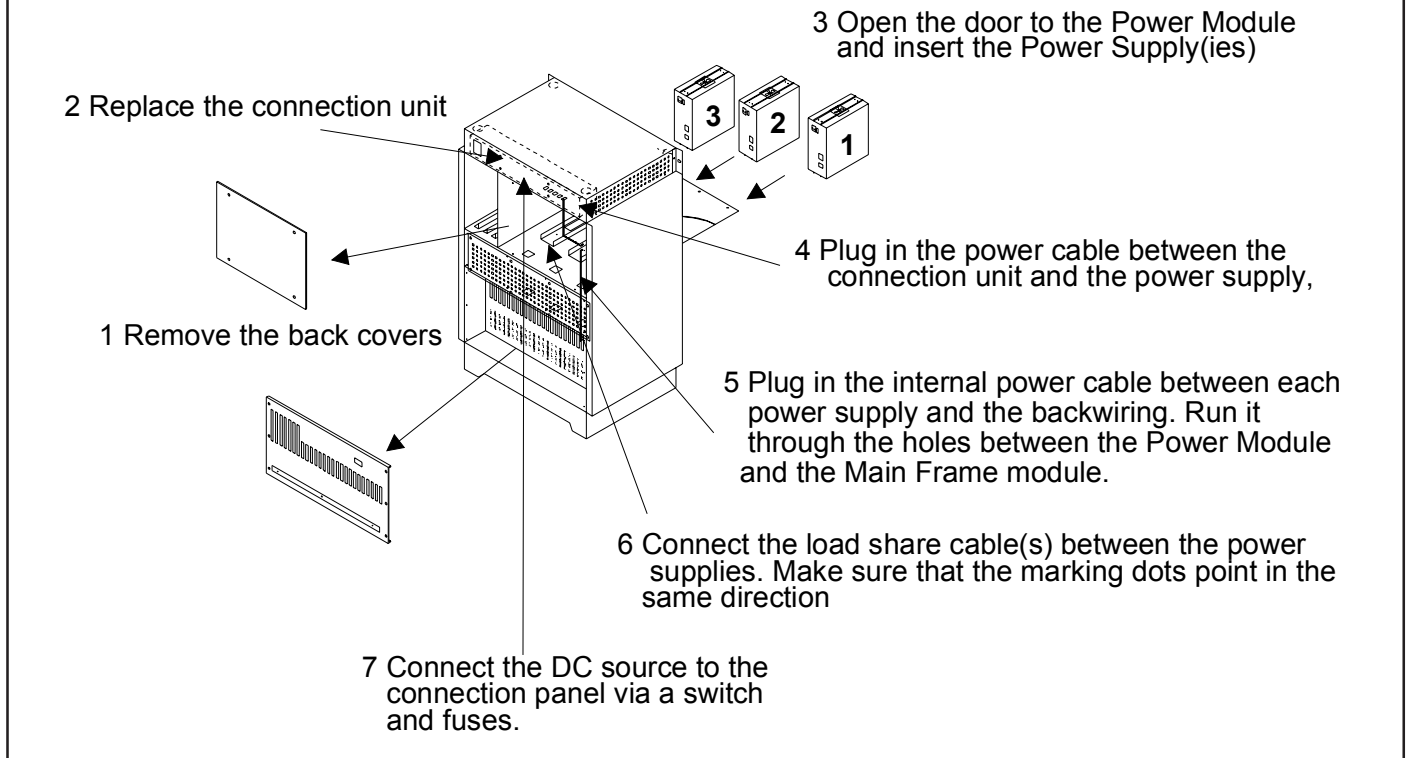
EMC Complies with:
EN 50081-1, EN 55022 level B and
EN 50082-1 (immunity)

Specification

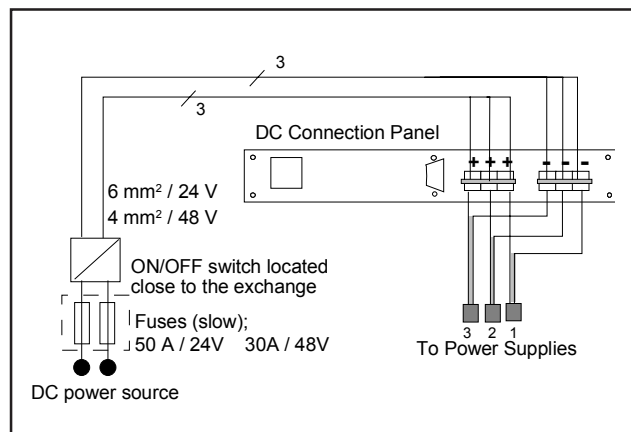
Order Number:	100 9702 000
Dimensions (WXHXD):	83 mm x 230 mm x 260 mm 3.24" x 8.97" x 10.14"
Input voltage range:	20 - 60 V DC
Input rating (full load):	450 W
Output voltage/current:	+5.1 V +/- 2% 7 A (min. load 0.2 A) +15 V +/- 5% 4 A (min. load 0.1 A) +24 V +/- 3% 8 A (min. load 0.2 A) +32 V +/- 5% 1.2 A (min. load 0 A)
Current consumption (fully equipped exch.):	5 V = 5.9 A, 15 V = 4.1 A, Idle: 24 V = 4.2 A, 32 V = 2 A
Normal operation:	24 V = 10 A, other voltages as for idle
Program to all:	24 V = 16 A, other voltages as for idle
All call:	24 V = 24 A, other voltages as for idle
Heath dissipation (50 subscr):	2-3 W per subscriber
Ripple:	+5.1 V Max.40 mV p-p, typically 10 mV p-p +15 V Max.40 mV p-p, typically 20 mV p-p +/- 24 V Max.40 mV p-p, typically 10 mV p-p + 32 V Max 40 mV p-p, typically 20 mV p-p
Switching frequency:	Variable

DC Input Power Supply 9702

Cabling



Connection of DC Power Source



Ordering information

Order Number	Description	Ship Weight metric/imperial
100 9702 000	DC Input Power Supply	3.4 kg / 7.5 lb.
100 9702 010	DC Connection Panel (one per exchange)	1.3 kg / 2.9 lb.



Zenitel Norway ASA
www.zenitel.biz
css@zenitel.biz

