

## Ring-Master - STENTOFON AlphaCom E Interface

### Feature

- Move Ring-Master CB901 systems into the IP era with IP stations and IP networking between exchanges and external systems
- Secure existing Ring-Master investments with STENTOFON AlphaCom E's possibilities for expansion and improvements
- Improve the control room solution by use of AlphaCom E specialized equipment
- Keep all services in existing Ring-Master system



### Description

The Ring-Master – AlphaCom E interface makes it possible for existing Ring-Master CB901 systems to take advantage of the efficiency and flexibility inherent in IP based systems, and the wide range of STENTOFON stations, both traditional star wired and IP. Any size of CB901 systems can be interfaced.

The STENTOFON AlphaCom E exchange includes IP programming, IP management, IP logging, IP monitoring and possibilities for e-mail based fault messages.

The new range of STENTOFON IP stations give the freedom and simplicity offered by IP networking – still keeping the STENTOFON high audio quality.

The interface secures the investments that have been made in the Ring-Master system by keeping all existing intercom parts. The AlphaCom E exchange with a desired mix of star wired and IP stations is added to serve new sites, buildings, or refurbishments of existing buildings.

The two systems act as one, sharing the same numbering plan. Each system will maintain their internal functions, and most services like Calling Line Identity, Call Request and Group Call are available across the interface.

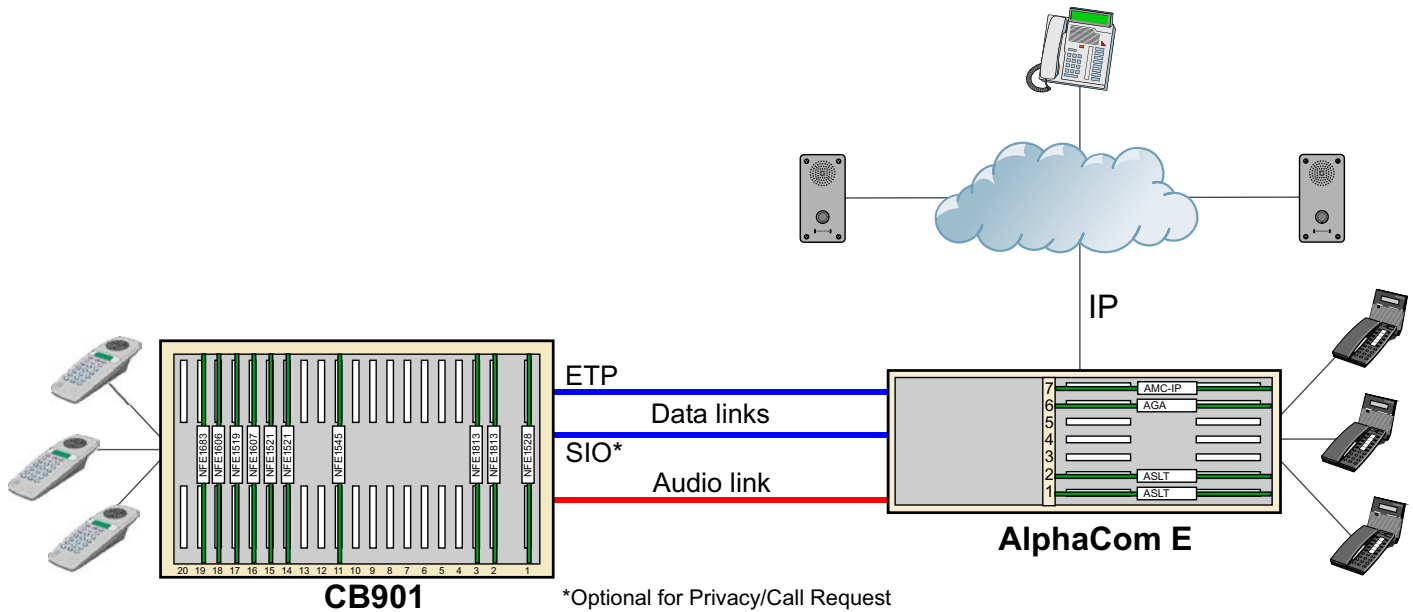
The two systems are easily interconnected with just a few cables and by following the programming sequence. By activating a license key, the system is ready for duty.

### Specification

Usage	Communication between Ring-Master CB901 and STENTOFON AlphaCom E systems
<b>Technical Equipment</b>	
Audio	Analogue AGA board in AlphaCom E InterLink B / NFE1545 in Ring-Master
Signaling	Serial link possible with Ethernet for AlphaCom E
Programming	RingMaster: via standard SVT AlphaCom E: AlphaPro & AlphaWeb
<b>Call Features</b>	
Basic Call	Yes
Calling Line Identity	Number and station name - both ways
Group Call	Receiving and initiating
Global numbering plan	Yes
Crisis Alert	Not supported
Privacy	Optional
Internal services	Kept in each system (except Crisis Alert)
Internal networking	VoIP AlphaNet between Ring-Master exchanges
External networking	VoIP SIP networking to iPBXs, DECT systems and telephone gateways
IP stations	STENTOFON IP stations and standard IP telephones
<b>Numbering Plan requirements</b>	
No of digits	4 digits in both systems (3 digit plans must be expanded to 4 5 digit plans must be reduced to 4)

# Ring-Master - STENTOFON AlphaCom E Interface

## Principle



## Ordering information

The following equipment is required for the interconnection between CB901 and AlphaCom E

### Basic AlphaCom E interface for CB901 with basic card rack DP979 (Not EMC)

NFE1545	RM Audio Interface Card RM-ACE	(6 audio channels per card)
BF927	Internal Strap Subscriber Cable for DP979/980	(one per exchange for serial data and one additional per NFE1545 Audio Interface Card)
A100A08010	RS232-RJ45 Interface Cable for RM-ACE	
1009649001	License Key for Communication Between CB901 and AlphaCom E	

### Basic AlphaCom E interface for CB901 with basic card rack DP991 (EMC approved)

NFE1545	RM Audio Interface Card RM-ACE	(6 audio channels per card)
BF950	Internal Subscriber Cable, CE	(one per NFE1545 Audio Interface Card)
BF957	Internal RS232 Cable, CE	(two per RM exchange)
BF951	Filter Adapter, CE	(one per BF950 and BF957 cable)
BF952	External Subscriber Cable, 3 m, CE	(one per BF951 filter)
A100A08010	RS232-RJ45 Interface Cable for RM-ACE	
1009649001	License Key for communication between CB901 and AlphaCom E	

### CB901 Upgrade Packages

RMTX59	EPROM Upgrade Kit to software revision TX5.9 from revisions TX5.0 to TX5.6
NFE1683	CB901 Processor Card including software TX5.9 to upgrade from revision TX4.x

### AlphaCom E exchange

See AlphaCom E7/E20/E26 packages in STENTOFON product catalogue.  
Note that one AGA card is required in the AlphaCom E exchange to interface 6 audio channels to CB901.



**ZENITEL NORWAY AS**  
www.zenitel.com  
marketing@zenitel.com

