

# SUBSCRIBER LINE BOARD

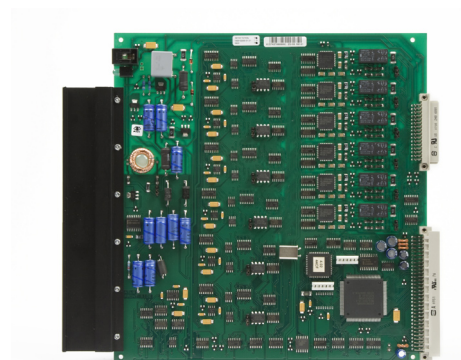
ATLB



when communication is **critical**

## FEATURES

- Is used for 2-wire connection of telephones as stations in an AlphaCom system
- Each board provides 6 telephone connections and 1 voice-switched conversation
- 6 remote control outputs (software configurable activation)
- Hotline function
- DTMF dialing
- R-button detection
- Selectable -48V or -24V battery feed
- 600 ohm or complex impedance hybrid balance
- Line monitoring using resistor in parallel with phone
- Hot plug in and out of the board
- Red/green/amber LED indicates system status



## DESCRIPTION

This board contains circuitry for connection of 6 2-wire telephones as AlphaCom subscribers. The board also provides one measurement channel for voice switching control. It plugs into any position 1 - 23. When the hot-line function is activated for the station a preprogrammed number is dialed when the handset is lifted. When the handset is replaced, another number is dialed.

The board provides 6 remote control outputs that are software-controlled. The line monitoring reports errors on all subscriber lines. If the handset is left off for 1 hour (programmable timer) a line error is reported. The board can be plugged in/out while the exchange is running. A hot plug-in cable is needed for this purpose. The cable is included in the cable set for the exchange.

## SPECIFICATIONS

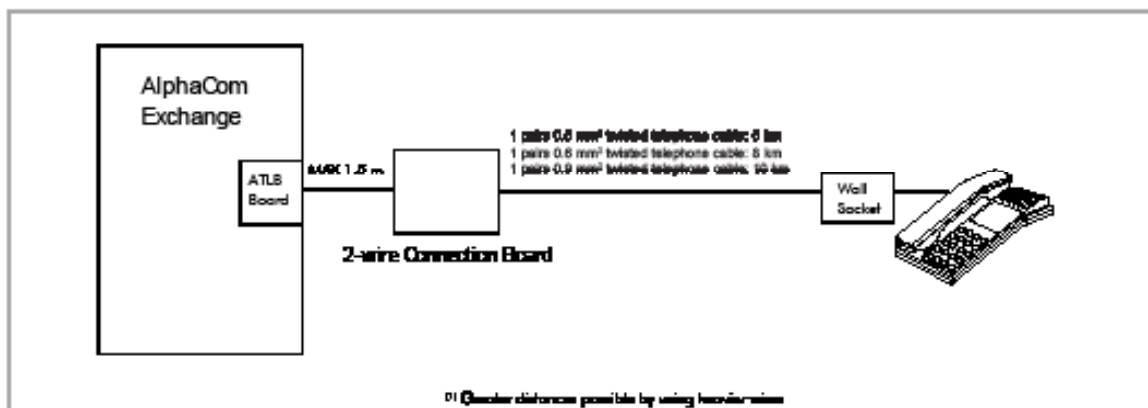
Order Number	1009102000
Operation Voltage	5, 15, 24, 32 V DC
Dimensions (W x H x D)	10 mm x 230 mm x 263 mm, 0.39" x 8.97" x 10.26" Double Extended Europe Format
S/N ratio (conversation)	45 dB
Input impedance	600 ohm
Frequency range conversation	300 - 3,400 Hz
Crosstalk at 1 kHz	< -75 dB
Capacity for each ATLB board	6 subscribers

ORDER NUMBER	DESCRIPTION	SHIP WEIGHT
1009102000	AlphaCom Subscriber Line Board for DTMF stations, ATLB	0.5 kg / 1.1 lb.
Supplementary equipment:		
1009501031	1.5 m Flat Connection Cable with Filter Board	
1009930202	Subscriber Connection Board, Krone terminals	
1009910120	Distribution Field for Subscriber Connection Boards ATLB	

## SUBSCRIBER LINE BOARD ATLB

Duplex-controlled conversations	1 voice-switched conversation per board
Remote control outputs	5 V 2.2 Kohm
Cable type	1-pair twisted cable per station
Max. cable length to station	0.5 mm2: 6 km 0.6 mm2: 8 km 0.9 mm2: 10 km
Distortion	< 2%
Indicator	LED (red/green/amber)

### INSTALLATION OVERVIEW



### CONNECTION BOARD FOR ATLB

